

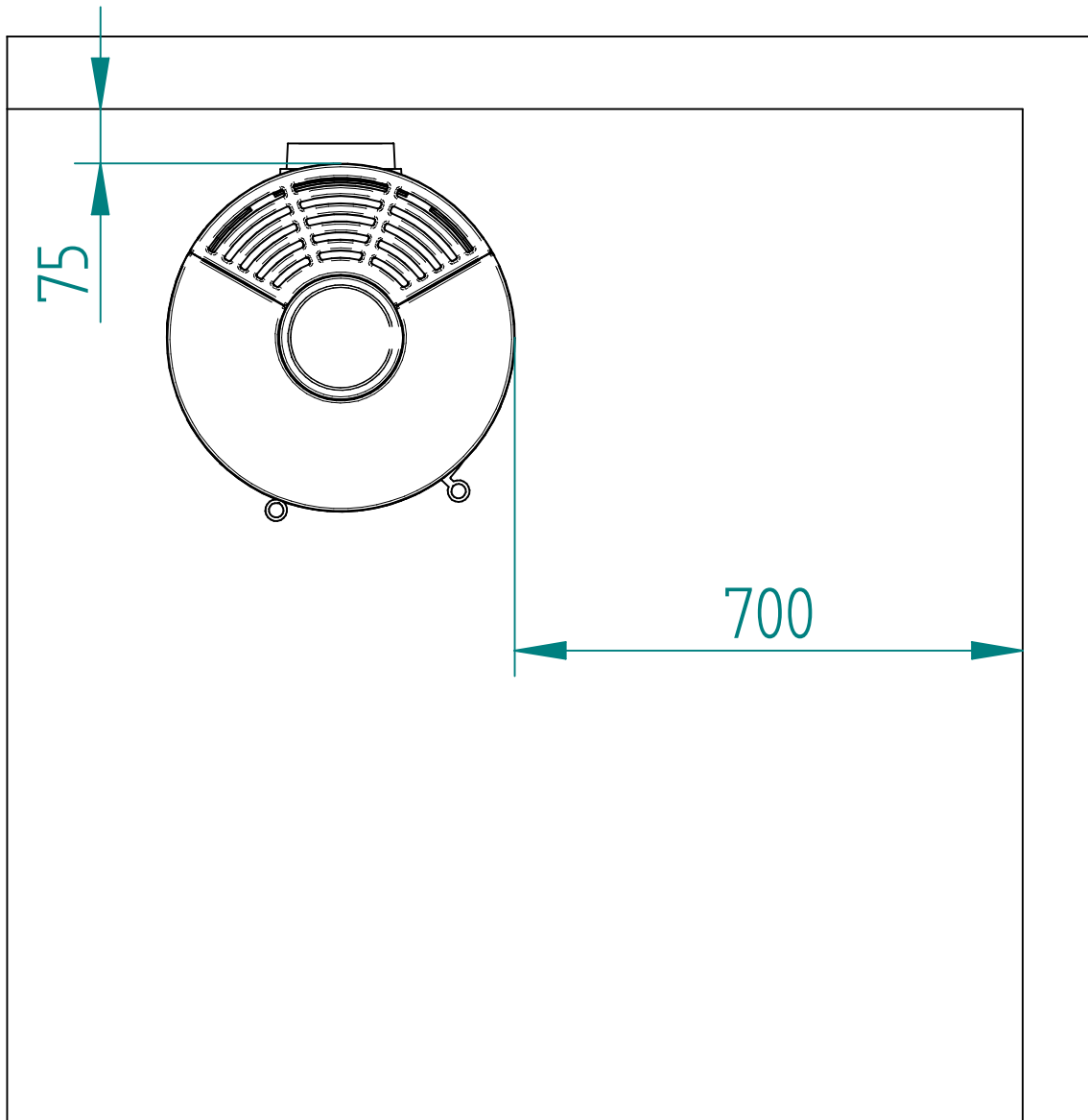
Modell:

EOS

Sheet/Sheets:

1 of 2

Distance to combustible with insulated flues.



Modell:

EOS

Sheet/Sheets:

2 of 2

Distance to combustible without insulated flues.

