

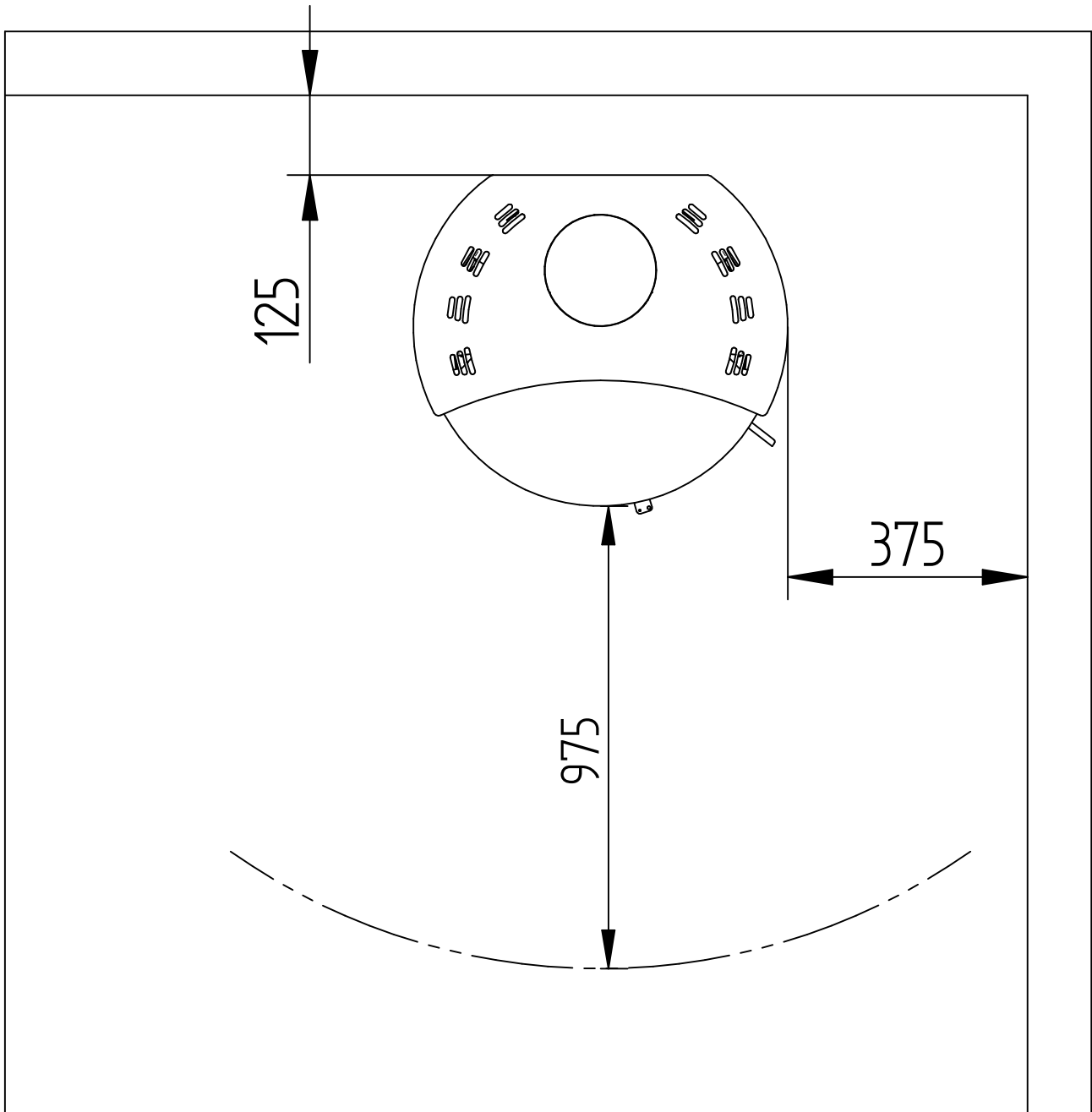
Modell:

Sirius

Sheet/Sheets:

1 of 2

Distance to combustible with insulated flues



Modell:

Sirius

Sheet/Sheets:

2 of 2

Distance to combustible without insulated flues

